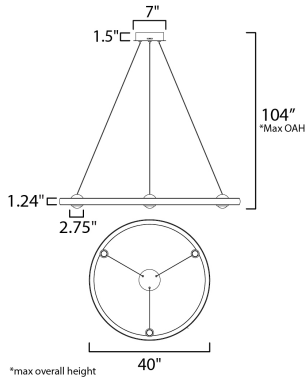




**PRODUCT DESCRIPTION**

Introducing a new take on the now classically modern LED ring, large illuminated spheres act as "nodes" to support the tapered aluminum channel while also providing additional down light. Featuring a CCT selectable switch, the collection conveniently allows end users to select from warmer white light to energizing bright white lighting in 5 color temperature options. The convenient functionality is matched with its performance, meeting California's JA8 Title 24 requirements. Rated to deliver higher lumens per watt and power sources that supports range voltage input and 3 in 1 dimming, this product is designed to meet the requirements of both home and commercial projects.




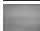

**MEASUREMENTS**

DIMENSION : 40" L x 40" W x 2.75" H  
 MAX OAH : 104" OAH  
 HANGING WEIGHT : 5.61 lb

**LAMPING**

INPUT VOLTAGE : 120-277V  
 LUMENS : 4,000 Rated (3,500 Del.)  
 BULB : 1 x 50W LED CCT Select PCB , 50W Total  
 BULB INCLUDED : (Integrated)  
 CRI : 90 CRI  
 COLOR\_TEMP : CCT SelectK

**FINISHES OPTION**

-  Black (BK)
-  Brushed Aluminum (AL)
-  Gold (GLD)

**MATERIAL**

Aluminum, Steel

**RATINGS**

Dry Location  
 CA Title 24



**ADDITIONAL**

OPERATING TEMPERATURE:  
 -20°C (-4°F), 40°C (104°F)

Always consult a qualified electrician before installing any lighting product.



WESTERN DISTRIBUTION CENTER (HEADQUARTER)  
 253 NORTH VINELAND AVE | CITY OF INDUSTRY, CA 91746  
 EASTERN DISTRIBUTION CENTER  
 101 GARDNER PARK | PEACHTREE CITY, GA 30269  
 P. 626.956.4200 | F. 626.956.4225 | maxlighting.com